

**F**  
2:5  
CSN\_021702A\_8\_4  
CSN\_021103\_M8X12

096A\_2000\_021

096A\_0000\_051

096A\_2010\_081

096A\_2000\_021

096A\_2010\_001

096A\_2010\_011

096A\_2010\_041

096A\_2010\_011

096A\_2010\_051

096A\_2010\_091

096A\_2010\_061

096A\_2000\_001

174A\_2000\_011

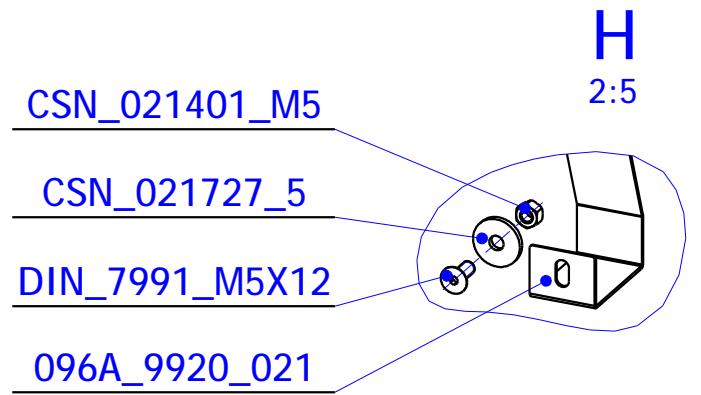
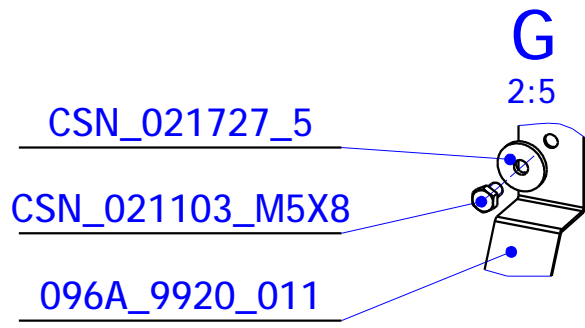
096A\_2010\_071

096A\_2010\_021

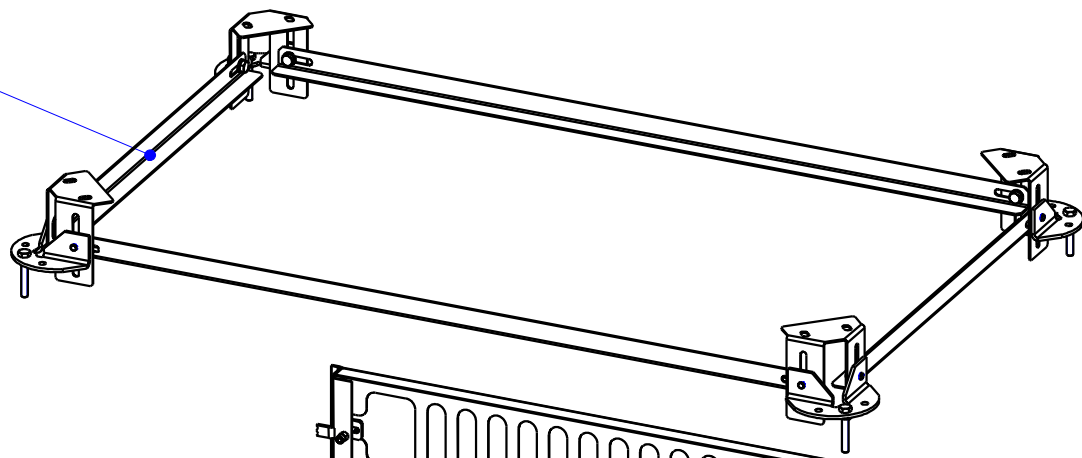
096A\_2010\_061

096A\_2010\_031

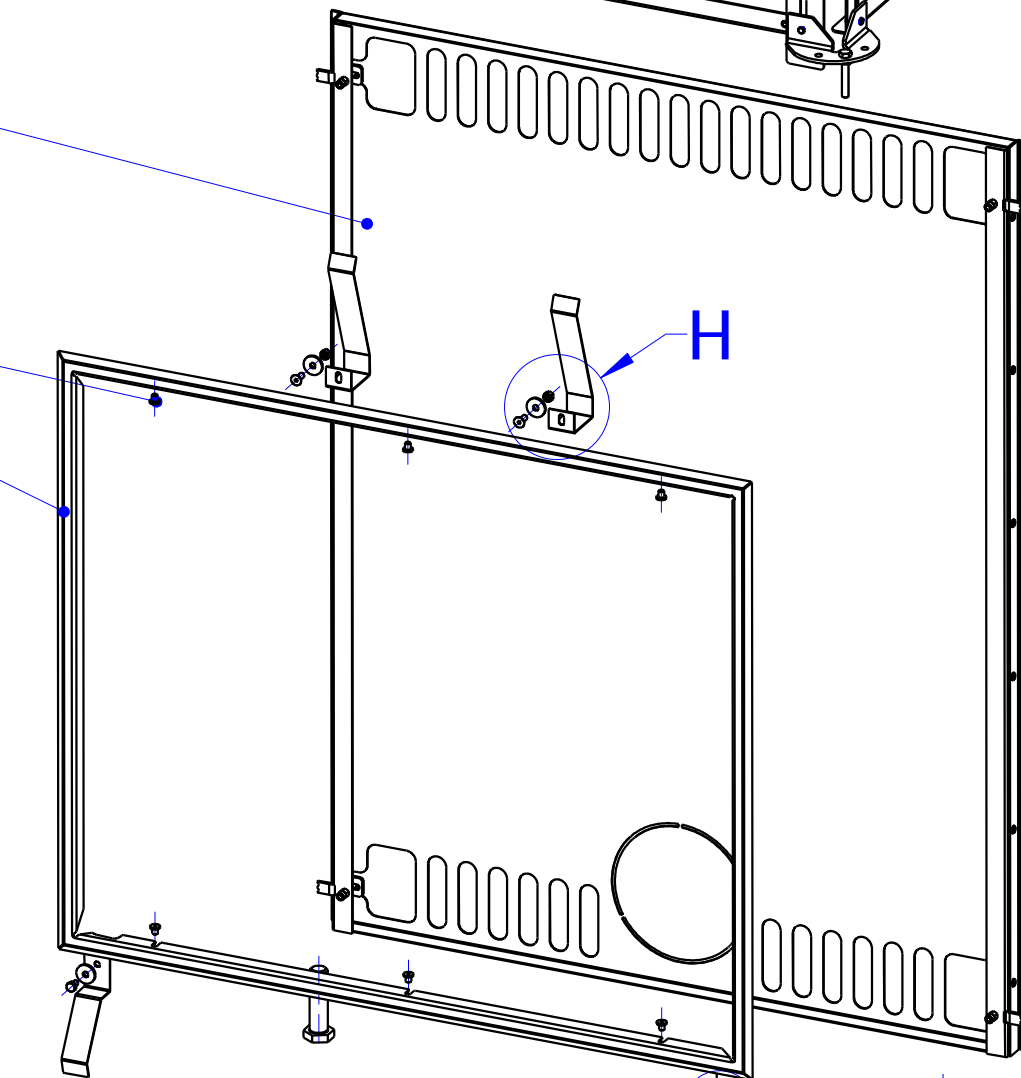
096A\_5010\_001



096A\_9930\_001

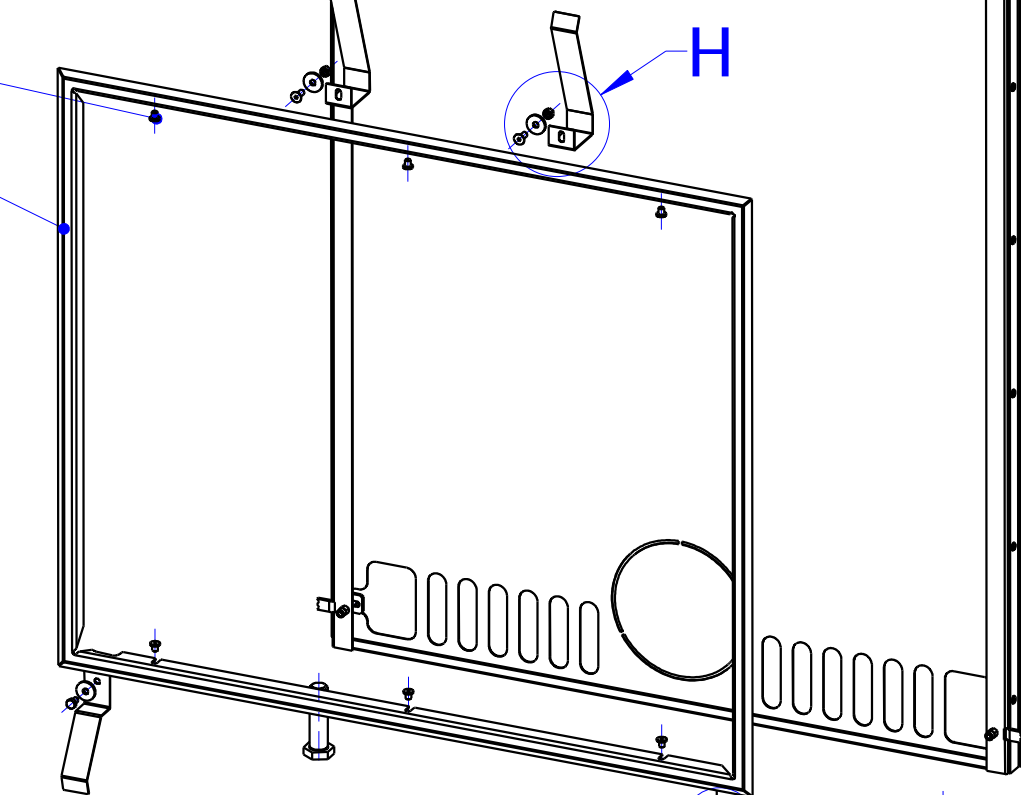


096A\_9960\_001



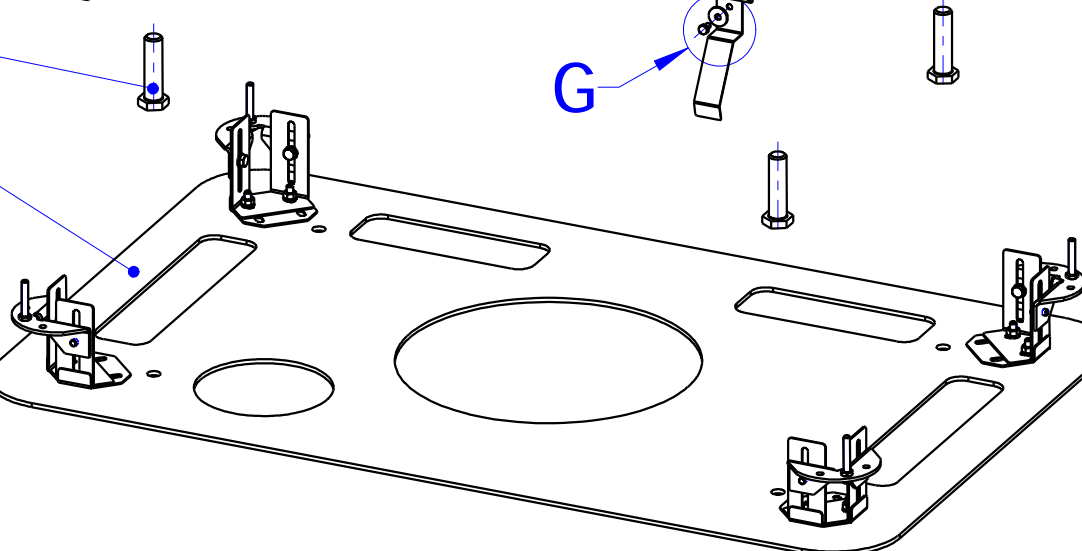
BN1206\_M5X6

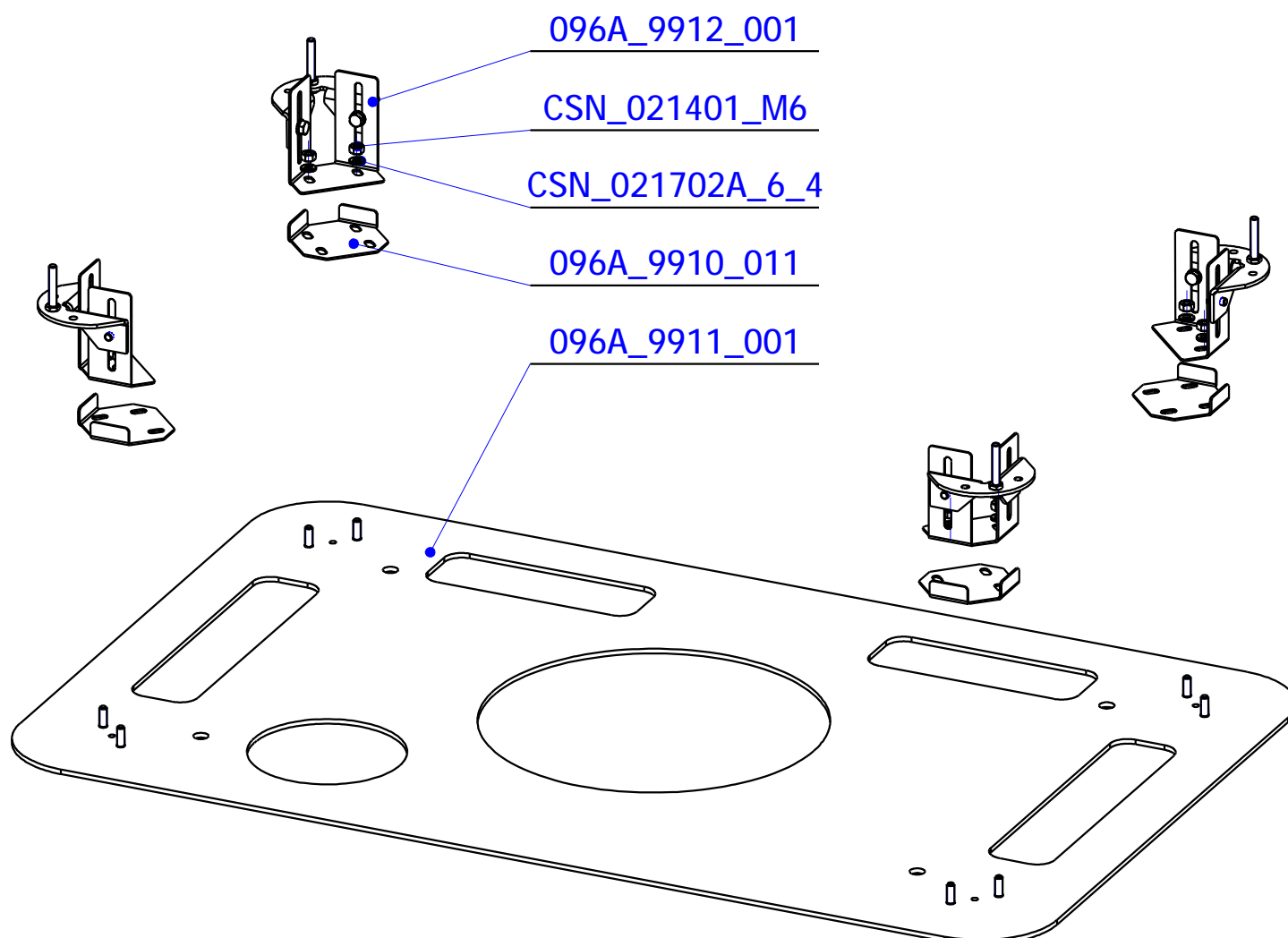
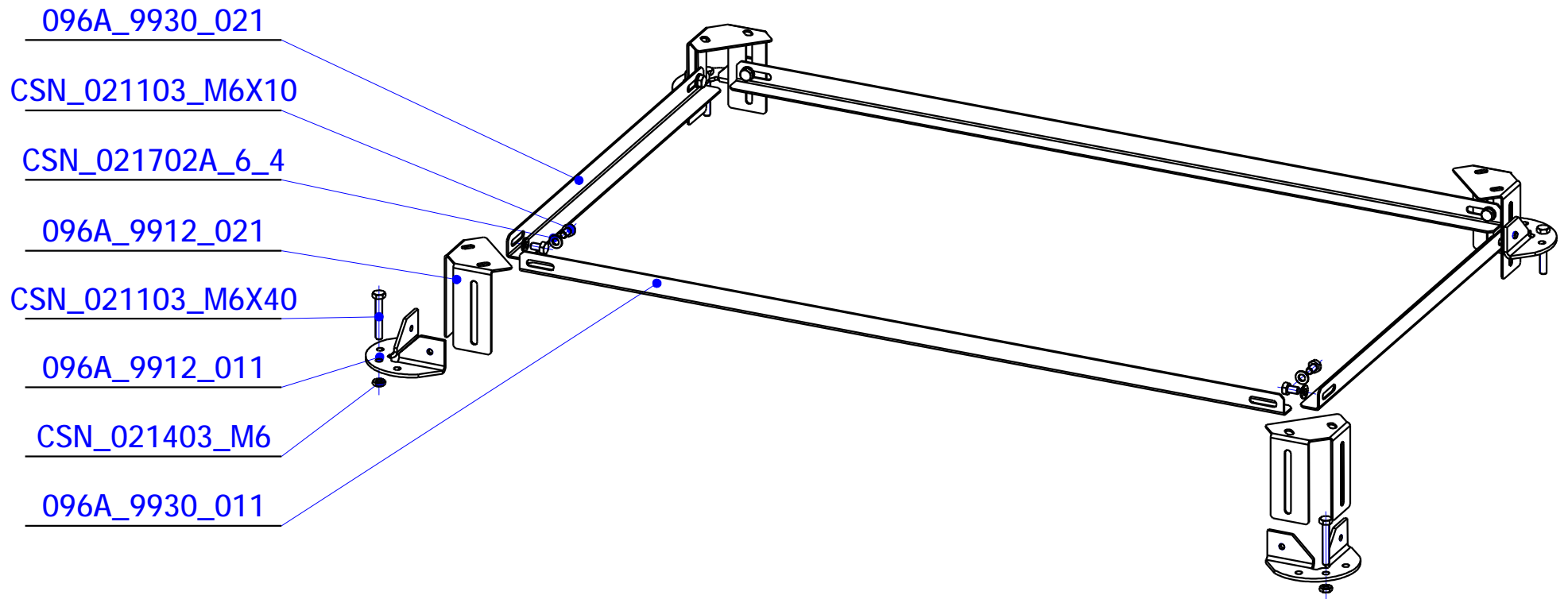
096A\_9900\_011

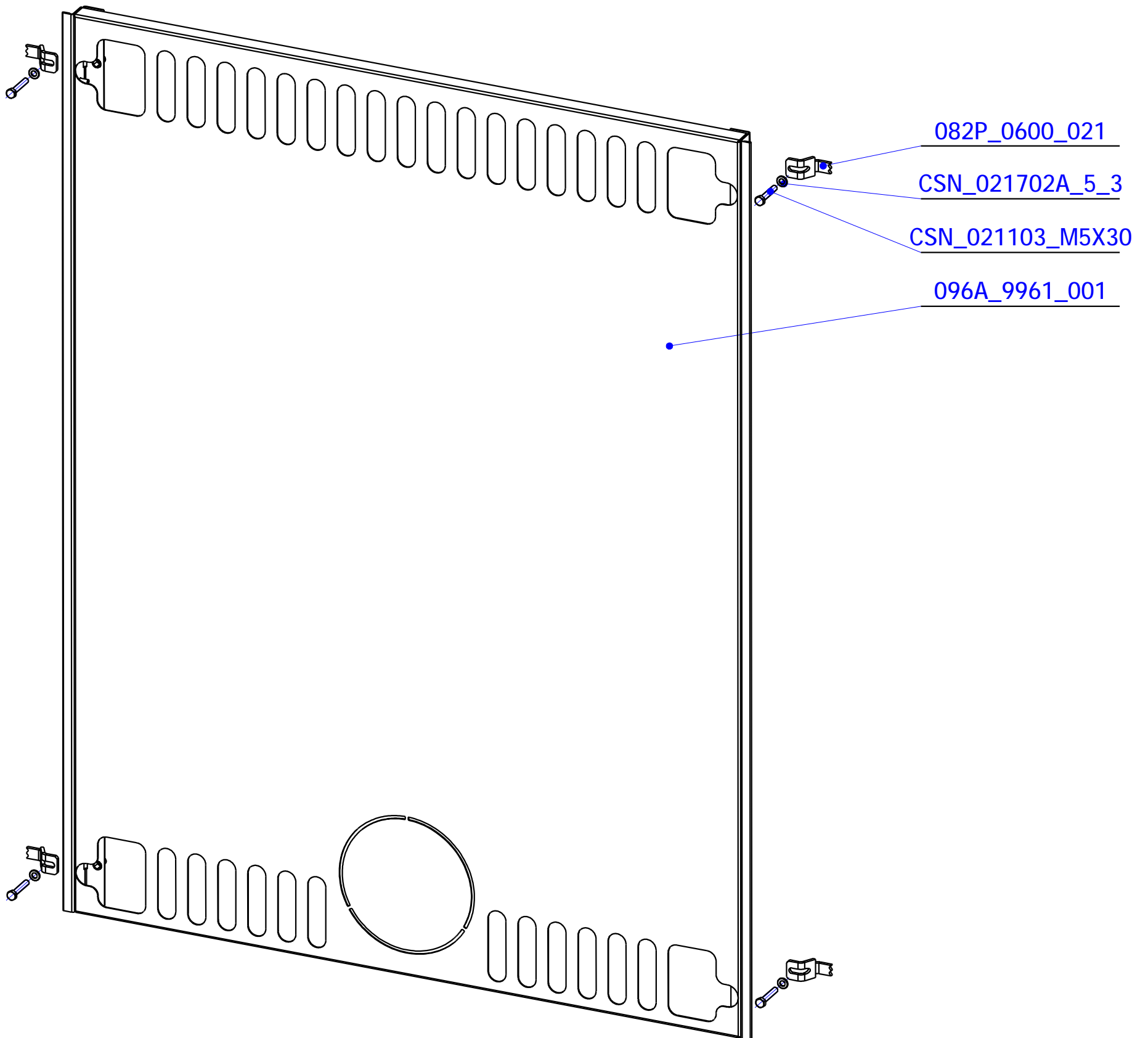


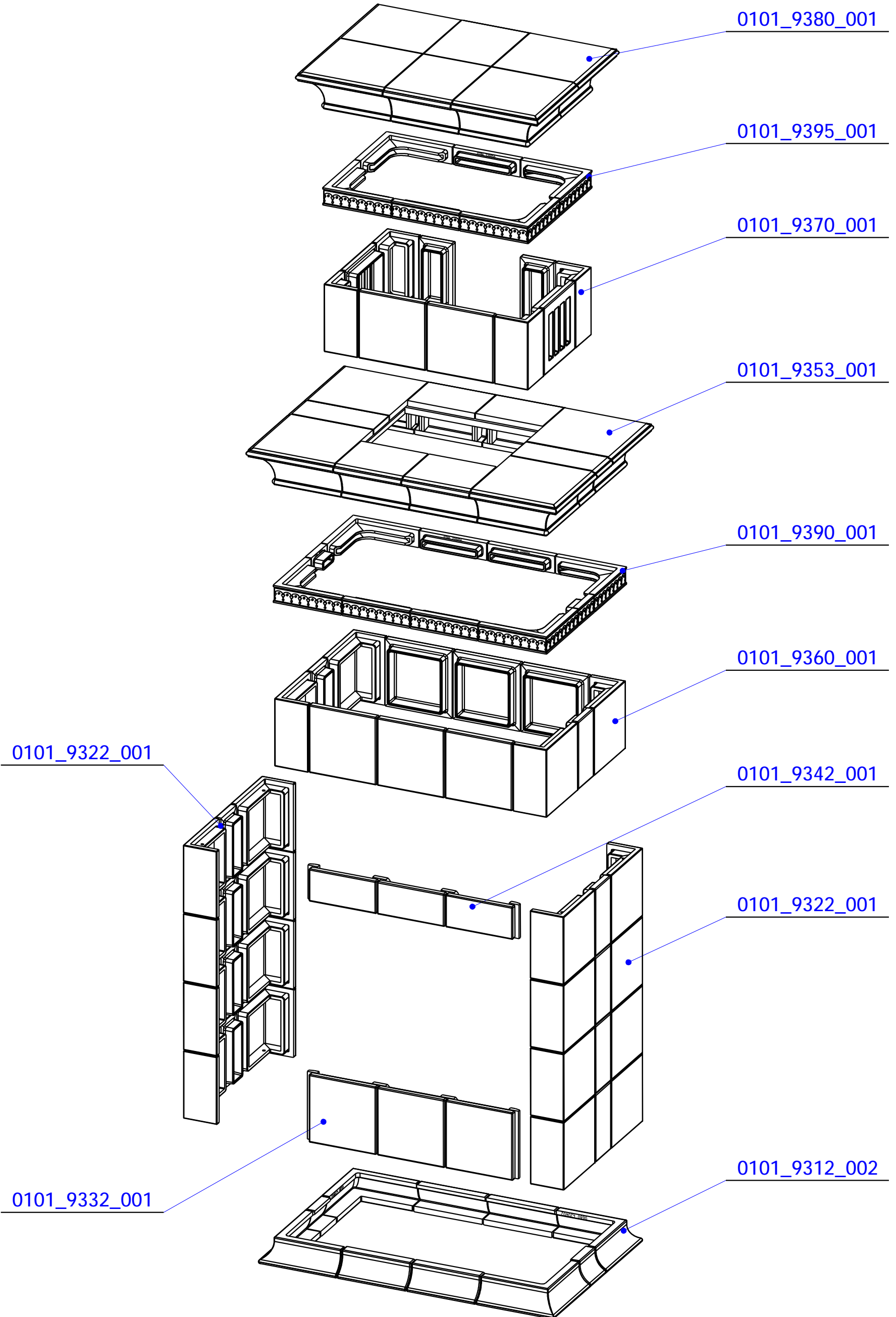
096A\_9900\_021

096A\_9910\_001

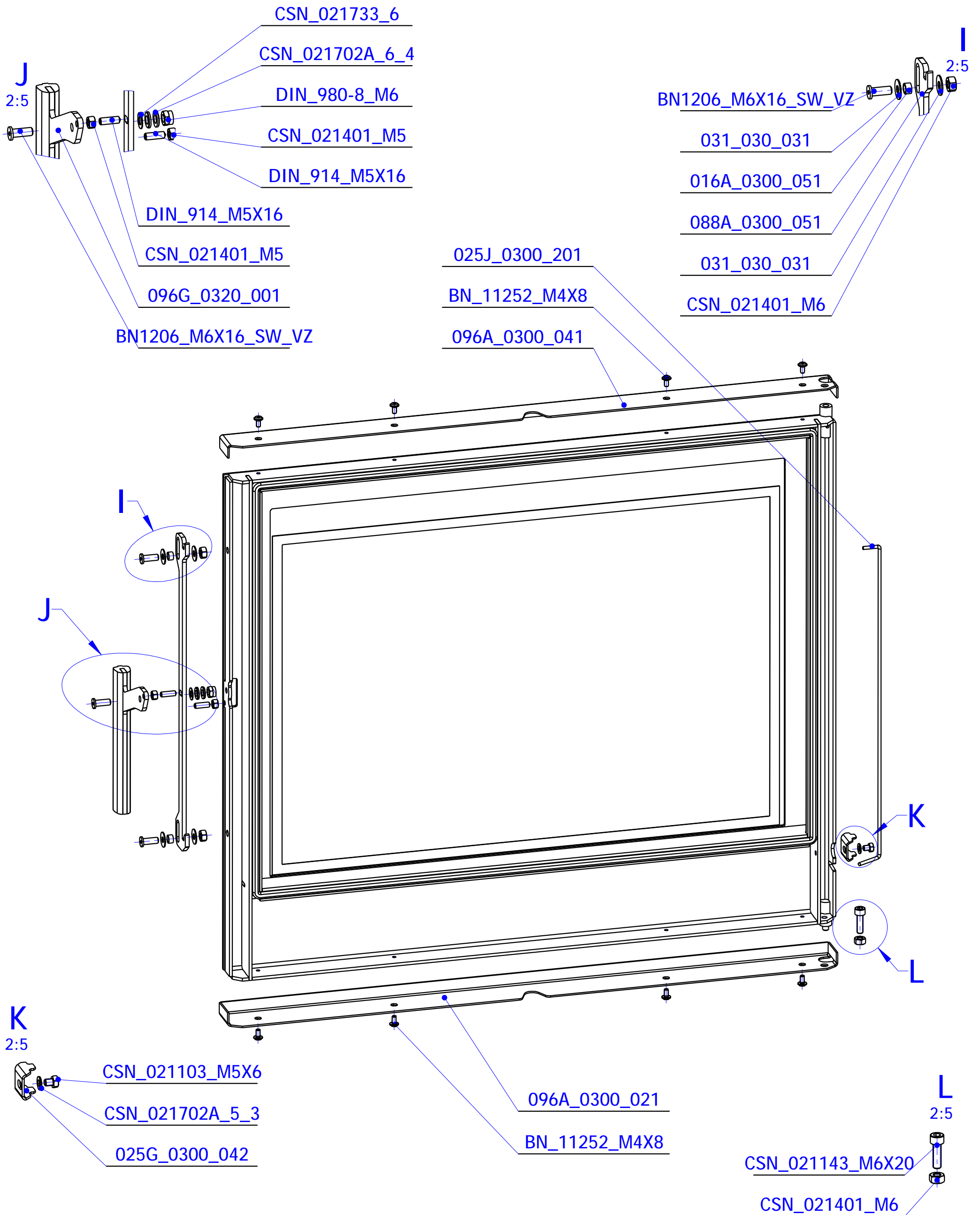












BAR 1N

096D\_0000\_001

10 / 10

